

APPROXIMATE ASSEMBLY WEIGHT: 13.5 LBS.

UNLESS OTHERWISE NOTED
DIMENSIONS IN INCHES.
DIMENSIONING, TOLERANCING, AND DRAWING
INTERPRETATION IS IN ACCORDANCE WITH
ASME Y14.5M 250

SPECIFICATIONS TO BE
USED IN CONJUNCTION
WITH THIS DRAWING:

SIZE
D
V16.04

ASSEMBLY
2 6FRF
RAILROAD VALVE

SOLIDWORKS

LOCATION
SHREWSBURY - USA

DRAWN
P. DORRIAN

REVIEWED

NELES

APPROVED
K. SUNDBERG

DATE
3/19/2013

DRAWING NO.
5542

REV.
B

UNRESTRICTED

SHEET
1 OF 2

ECN NO.
46080

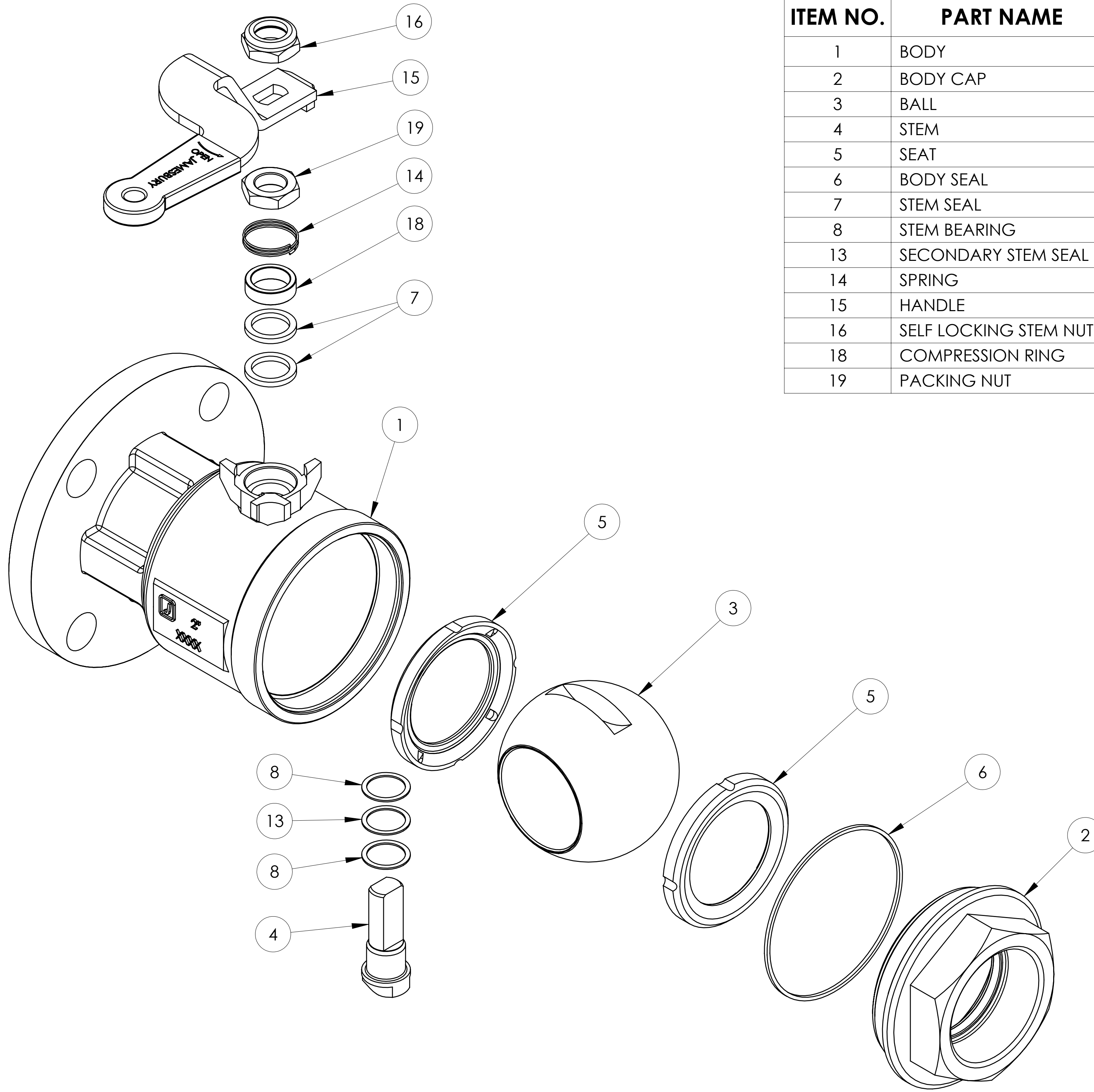
REVISION DESCRIPTION
SEE ECN FOR CHANGES

DRAWN
C. DESROSIERS

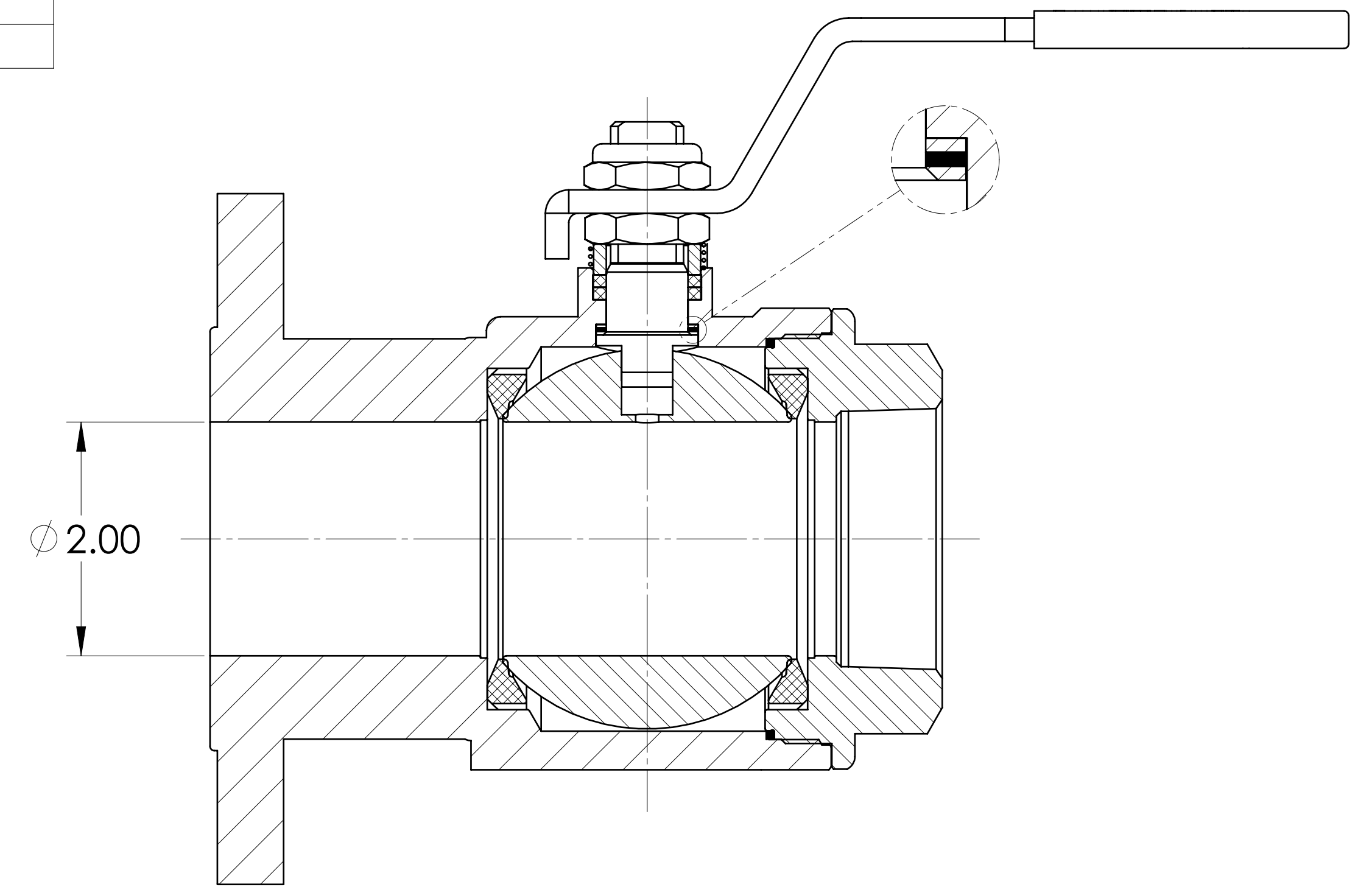
REVIEWED

APPROVED
M. HOPE-SOWAH

DATE
04 JAN 2021



ITEM NO.	PART NAME	QTY.
1	BODY	1
2	BODY CAP	1
3	BALL	1
4	STEM	1
5	SEAT	2
6	BODY SEAL	1
7	STEM SEAL	2
8	STEM BEARING	2
13	SECONDARY STEM SEAL	1
14	SPRING	1
15	HANDLE	1
16	SELF LOCKING STEM NUT	1
18	COMPRESSION RING	1
19	PACKING NUT	1



SECTION A-A

UNLESS OTHERWISE NOTED
DIMENSIONS IN INCHES.
DIMENSIONING, TOLERANCING, AND DRAWING
INTERPRETATION IS IN ACCORDANCE WITH
ASME Y14.5M 250

ANGLES = ±5° FINISH =
REMOVE SHARP EDGES AND CORNERS TO
0.02-0.03 RADIUS OR CHAMFER

SPECIFICATIONS TO BE
USED IN CONJUNCTION
WITH THIS DRAWING:

SIZE D V16.04	MAKE FROM	WEIGHT	VOLUME cm ³	DRAWN P. DORRIAN	NELES
ASSEMBLY 2 1/2" 6FRF RAILROAD VALVE				REVIEWED	
APPROVED M. HOPE-SOWAH			DATE 04 JAN 2021	APPROVED K. SUNDBERG	DATE 3/19/2013
SOLIDWORKS				DRAWING NO. 5542	REV. B
LOCATION SHREWSBURY - USA			UNRESTRICTED	SHEET 2 OF 2	

ECN NO. 46080	REVISION DESCRIPTION SEE ECN FOR CHANGES
------------------	---

DRAWN C. DESROSIERS	REVIEWED
APPROVED M. HOPE-SOWAH	DATE 04 JAN 2021